

**SPECIFICATIONS:**

POWER RATING: 5 WATTS CONTINUOUS  
(BI-DIRECTIONAL)

FREQUENCY RANGE: DC TO 4GHZ

ATTENUATION VALUE: 30dB

ATTENUATION ACCURACY:

DC TO 1 GHz, ±0.8dB

1 GHz TO 4 GHz, ±1.3dB

VSWR ACCURACY:

DC TO 1 GHz AT 1.10:1 MAX.

1 GHz TO 4 GHz AT 1.25:1 MAX.

AMBIENT TEMPERATURE: -40° C TO +40° C

CONNECTORS: BNC MALE AND FEMALE

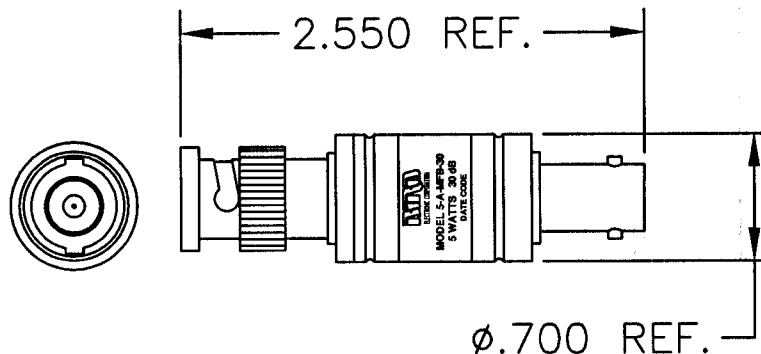
- TRI-ALLOY PLATED

OPERATING POSITION: ANY

NOMINAL SIZE: 2.55 L X .700 DIA.

WEIGHT: APPROX. 2.8 O.Z.

REVISIONS			DWG. NO.	5-A-MFB-30	SHEET	REV
ZONE	REV	DESCRIPTION	DATE	APPROVED		
	A	CONVERT TO BEC FORMAT	DMR 11-12-02	<i>MRU</i>		



DIMENSIONS HEREON ARE FOR CUSTOMER CONVENIENCE AND REFERENCE ONLY. TOLERANCE TO BE APPLIED ONLY WHERE INDIVIDUALLY STATED ON THE RESPECTIVE DIMENSION. -DO NOT SCALE DRAWING-

UNLESS OTHERWISE SPECIFIED DIMENSIONS ARE IN INCHES TOLERANCES ARE:

FRACTIONS	DECIMALS	ANGLES
± 1/64	.XX = ±.010 .XXX = ±.005	± 30'

DO NOT SCALE DRAWING

MILLIMETERS

.X = ±.4  
.XX = ±.12

THIS DRAWING IS THE PROPERTY OF THE BIRD ELECTRONIC CORPORATION. THE DESIGNS AND SPECIFICATIONS DISCLOSED HEREON ARE PROPRIETARY AND SHALL NOT BE REPRODUCED, NOR COPIED, NOR USED AS THE BASIS FOR THE MANUFACTURE OR SALE OF APPARATUS OR DEVICES WITHOUT THEIR EXPRESS WRITTEN CONSENT.



**BIRD** Electronic Corporation  
Cleveland (Solon) Ohio USA

MATERIAL	APPROVALS		DATE	TITLE					
	DRAWN	DMD	11-2-02	ATTENUATOR, BNC MALE/FEMALE 5W, 30dB					
FINISH	CHECKED			SIZE	FSCM NO.	DWG. NO.	REV		
	APPROVED	<i>MRU</i>	11-12-02	A	70998	5-A-MFB-30	A		
			AUTOCAD	SCALE	1:1	COMM CODE	AT1	SHEET	1 OF 1